

# COMPACT VALVE - 1/8

## Series DS2

Cat No DS2 - 02 - 11

### MANUALLY OPERATED VALVE - NPT 1/8 (G1/8)

#### Features

- ❑ Compact size
- ❑ Suitable for panel mounting
- ❑ Mounting provision for individual unit

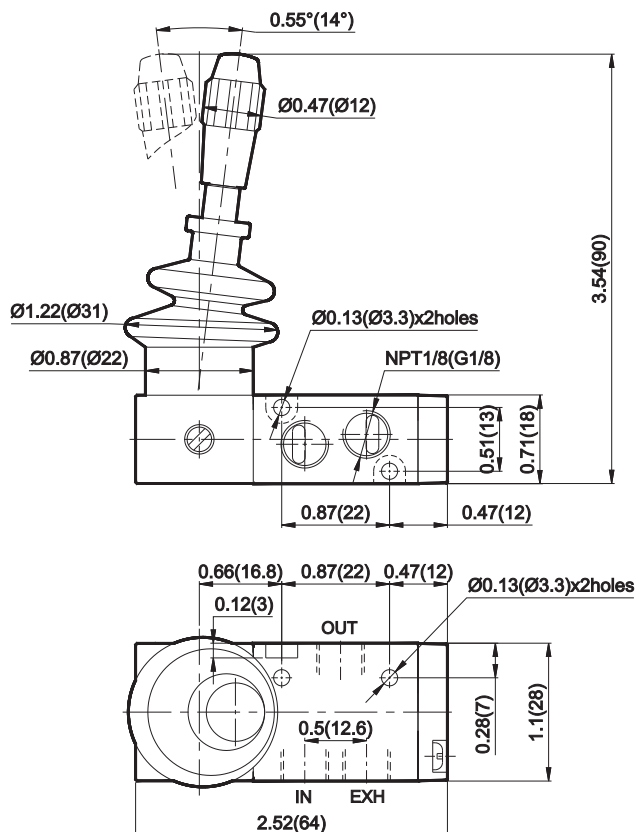


#### Technical Specifications

Model	DS2
Type	3/2, 5/2
Design	Spool type
Port Size	Inlet, Outlet, Exhaust - NPT 1/8 (G1/8)
Medium	Compressed air - Dry, filtered, lubricated
Working Pressure range in psi (bar)	115 (8)
Recommended oil for lubrication	ISO VG32 (Servo system 32)
Ambient / Medium temperature	41° - 140° F (5° - 60° C)
Flow rate in scfm (NI/min) @	15.75 (450)
Materials of construction	Aluminium, Nitrile, Brass, Acetal

@ Supply pressure 87 psi (6 bar), Pressure drop  $\Delta p = 14.5$  psi (1bar)

### 3 / 2 Hand lever operated valve with spring return



1 - Inlet, 2,4 - Outlet, 3,5 - Exhaust

Ordering No	NPT	DS234HR90	DS244HR90
	G	(DS234HR60)	(DS244HR60)
Type		Normally open	Normally closed
Symbol			

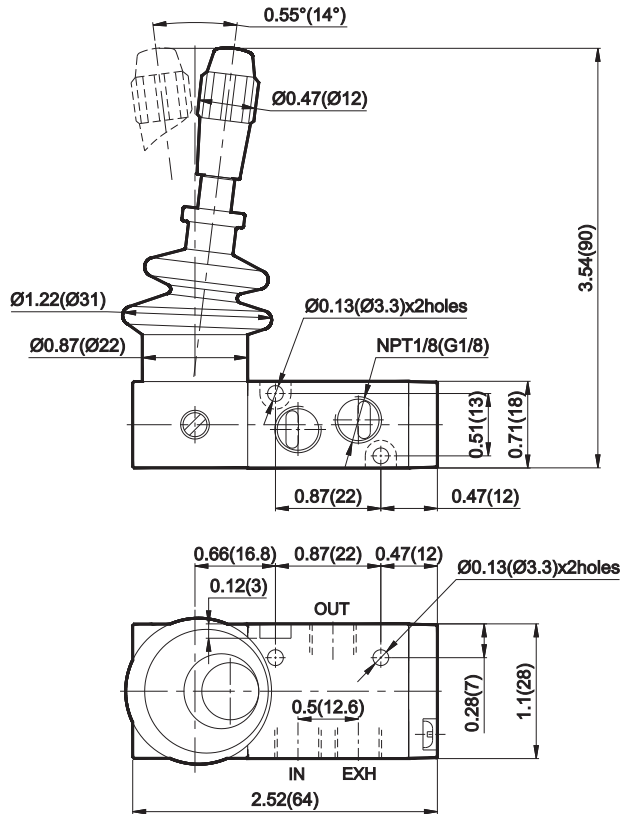
Note: All the dimensions are in Inch (mm)

# COMPACT VALVE - 1/8

## Series DS2

Cat No DS2 - 02 - 11

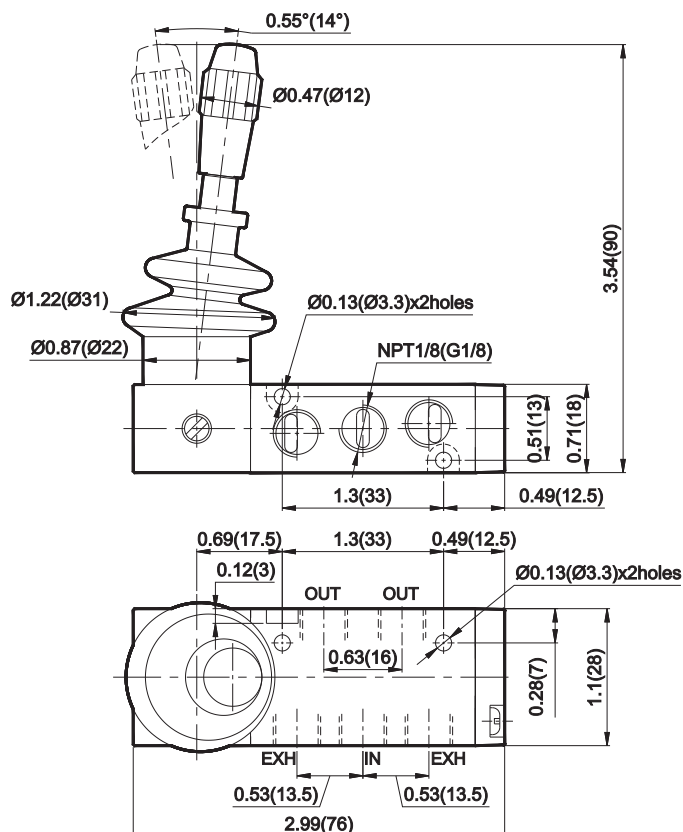
### 3 / 2 Hand lever operated valve with detent



1 - Inlet, 2,4 - Outlet, 3,5 - Exhaust

Ordering No	NPT	DS234HD90	DS244HD90
	G	(DS234HD60)	(DS244HD60)
Type		Normally open	Normally closed
Symbol			

### 5 / 2 Hand lever operated valve with spring return



1 - Inlet, 2,4 - Outlet, 3,5 - Exhaust

Ordering No	NPT	DS254HR90
	G	(DS254HR60)
Symbol		

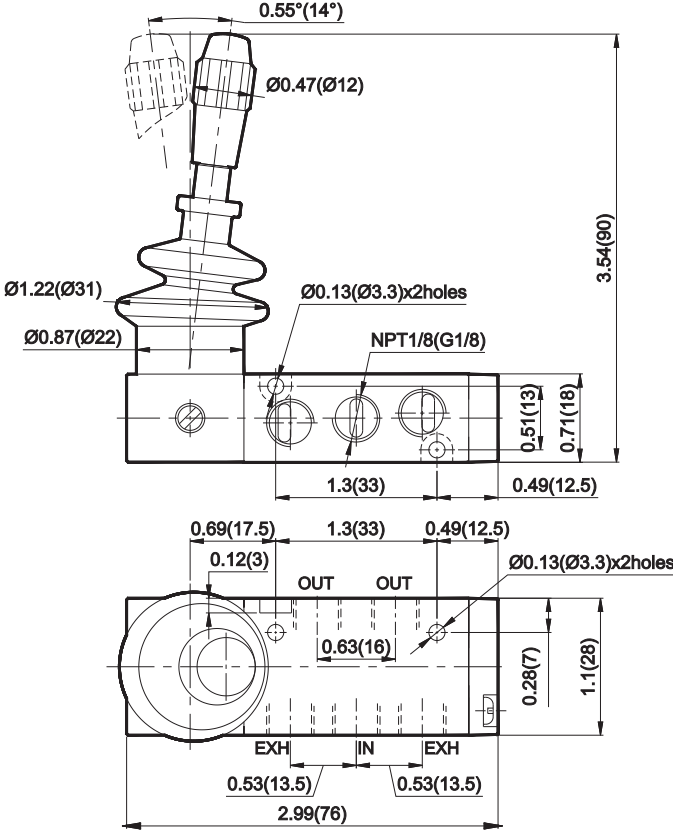
Note: All the dimensions are in Inch (mm)

# COMPACT VALVE - 1/8

## Series DS2

Cat No DS2 - 02 - 11

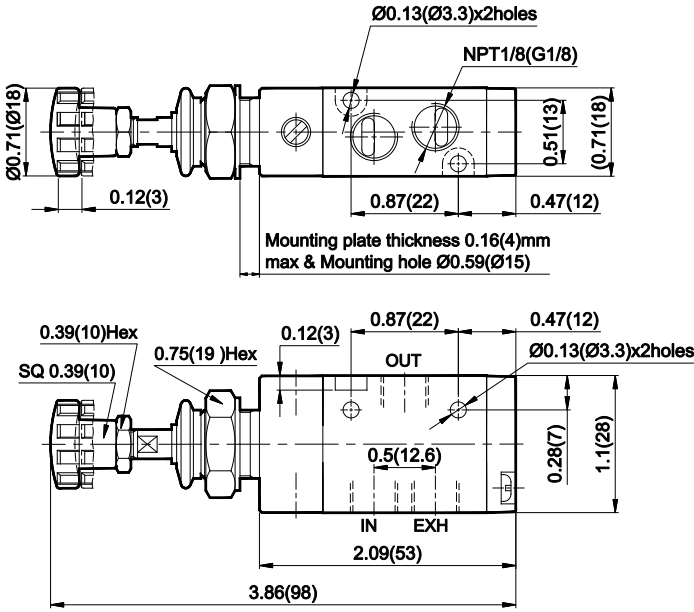
### 5 / 2 Hand lever operated valve with detent



1 - Inlet, 2,4 - Outlet, 3,5 - Exhaust

Ordering No	NPT	DS254HD90
	G	(DS254HD60)
Symbol		

### 3 / 2 Push Pull operated valve with spring return



1 - Inlet, 2 - Outlet, 3 - Exhaust

Ordering No	NPT	DS234PR90	DS244PR90
	G	(DS234PR60)	(DS244PR60)
Type	Normally open		Normally closed
Symbol			

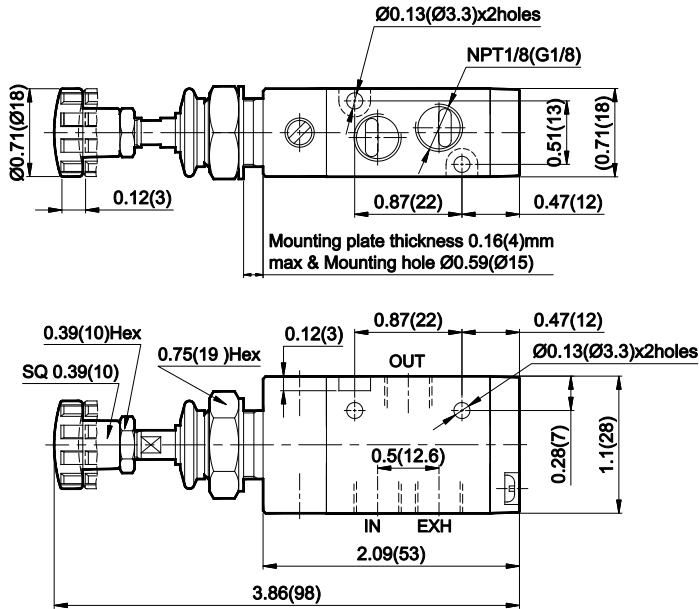
Note: All the dimensions are in Inch (mm)

# COMPACT VALVE - 1/8

## Series DS2

Cat No DS2 - 02 - 11

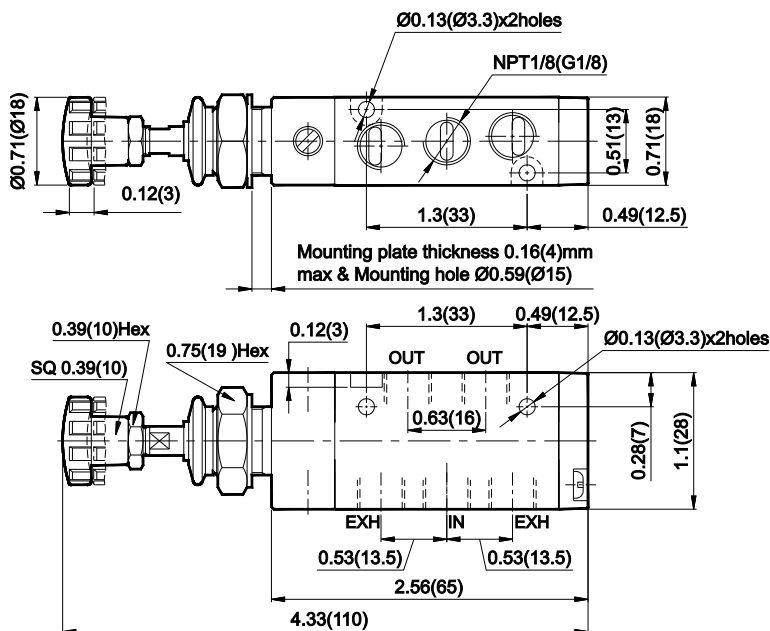
### 3 / 2 Push Pull operated valve with detent



1 - Inlet, 2 - Outlet, 3 - Exhaust

Ordering No	NPT	DS234PD90	DS244PD90
	G	(DS234PD60)	(DS244PD60)
Type		Normally open	Normally closed
Symbol			

### 5 / 2 Push Pull operated valve with spring return



1 - Inlet, 2,4 - Outlet, 3,5 - Exhaust

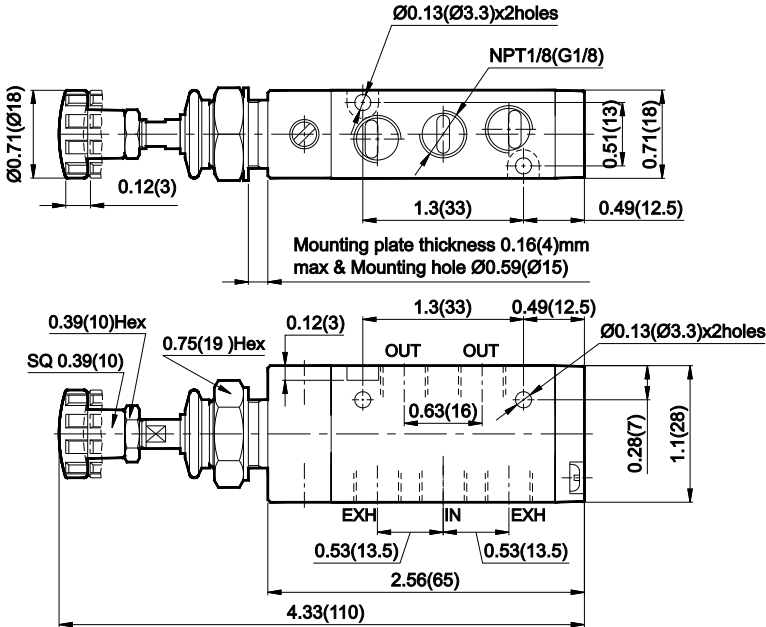
Ordering No	NPT	DS254PR90
	G	(DS254PR60)
Symbol		

# COMPACT VALVE - 1/8

## Series DS2

Cat No DS2 - 02 - 11

### 5 / 2 Push Pull operated valve with detent



1 - Inlet, 2,4 - Outlet, 3,5 - Exhaust

Ordering No	NPT	DS254PD90
	G	(DS254PD60)
Symbol		

### How to Order

While ordering valve, mention the ordering number given in the corresponding tables.